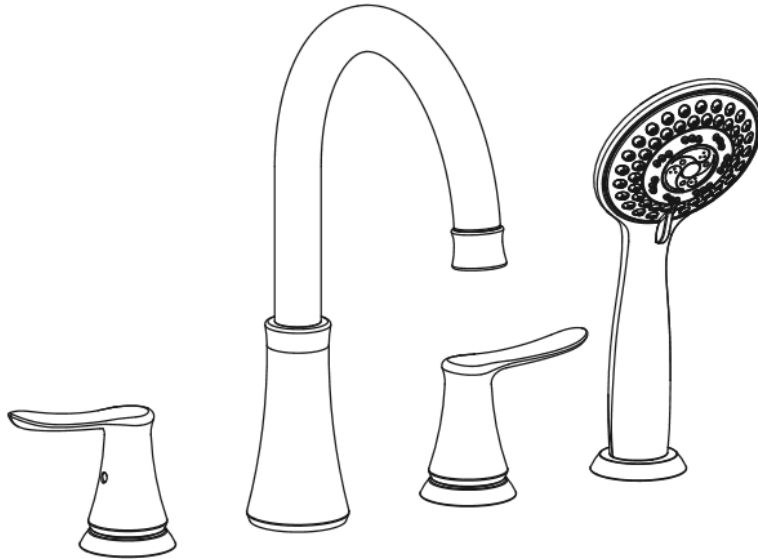


**Installation Instructions**  
**Model: EB6357217**  
**4-Hole Widespread Bathtub Faucet with Lever Handles**



**TABLE OF CONTENTS**

Preparation	2
Parts	2
Installation	3-5
Care and Cleaning	6
Warranty	6
Return Policy	6
Asking for Assistance	6

Please read all instructions carefully before starting the installation.

**PREPARATION**

● **Before You Begin**

Before installing any product by Dawn® in your home, make sure you are in compliance with all local plumbing codes.

● **Check The Accessory Items**

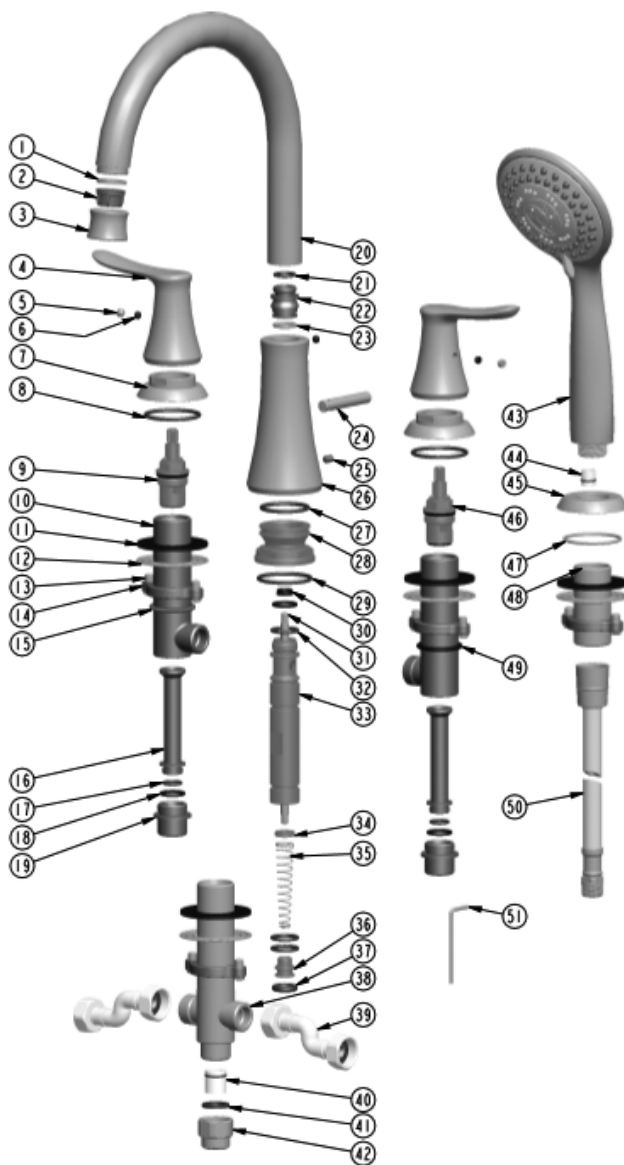
Before installation, please check the condition of the product and, if appropriate, its components. If there is any problem with the product and/or its components, please contact the store you purchased it from for a replacement. As soon as you have inspected your product, please return it to its original packaging until you are ready to install it.

● **Handle With Care**

To protect its finish and avoid damage before and after installation, please handle the product with care. For care and cleaning tips after installation, please refer to the *Care and Cleaning Guide* in this instruction guide.

**PARTS**

Item	Qty.
1. Washer	1
2. Aerator	1
3. Faucet Tip	1
4. Handle	2
5. Set Screw	2
6. Plug Button	3
7. Handle Base A	2
8. O-ring A	2
9. Cartridge (Red/Hot)	1
10. Shank A	2
11. Rubber Washer	4
12. Metal Washer	4
13. Mounting Screw	8
14. Mounting Nut	4
15. Silicon Ring (Red)	1
16. Core	2
17. O-ring B	2
18. O-ring C	3
19. Tailpiece Nut	2
20. Spout	1



Item	Qty.	Item	Qty.
21. O-ring D	1	40. Restrictor A	1
22. Connector A	1	41. Plastic Ring B	1
23. O-ring E	1	42. Connector B	1
24. Diverter Handle	1	43. Hand Shower	1
25. Screw	1	44. Restrictor B	1
26. Main Body	1	45. Handle Base B	1
27. O-ring F	1	46. Cartridge (Blue/Cold)	1
28. Connector B	1	47. O-ring J	1
29. O-ring G	1	48. Shank C	1
30. Plastic Ring A	1	49. Silicon Ring (Blue)	1
31. Lift Rod	1	50. Hose	1
32. O-ring H	3	51. Hex Wrench	1
33. Copper Shank	1		
34. Spring Cover	1		
35. Spring	1		
36. Tailpiece Nut	1		
37. O-ring I	1		
38. Shank B	1		
39. Connecting Pipes	2		

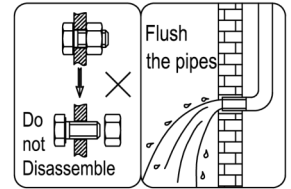
\*Drawings are for reference only. Please refer to actual product for exact size, shape and parts.

\*Dawn® reserves the right to make revisions in the design of faucets without notice for improvement of product performance and quality.

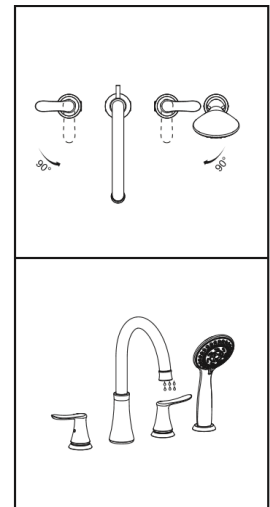
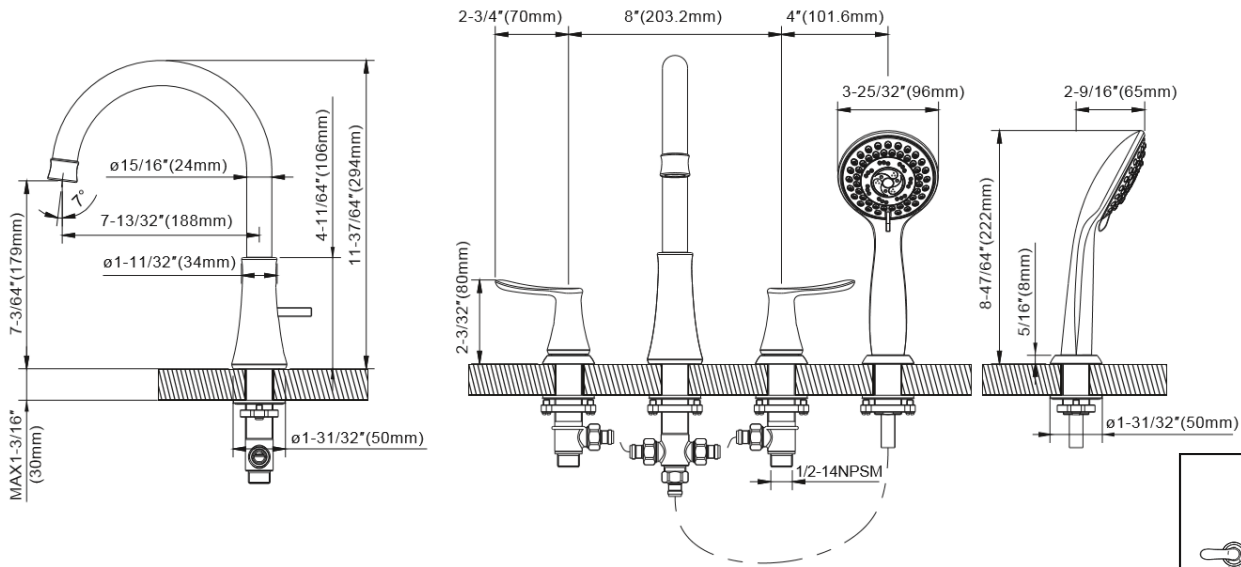
**INSTALLATION**

*IMPORTANT: Recommended for professional installers only. The installer maintains responsibility for installing the product safely.*

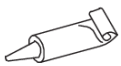
- The faucet main body is already assembled. Do not disassemble it.
- Thoroughly clean the inside of all pipes with a cloth before installation.
- Check all connections for leaks after installation.
- Water pressure range 0.05 Mpa to 1 Mpa; water temperature range 39°F to 194°F (4°C to 90°C).



**DIMENSIONS**



**TOOLS NEEDED**



Plumber's Putty



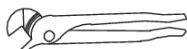
Thread Seal Tape



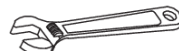
Hex Wrench (Included)



Phillips Screwdriver



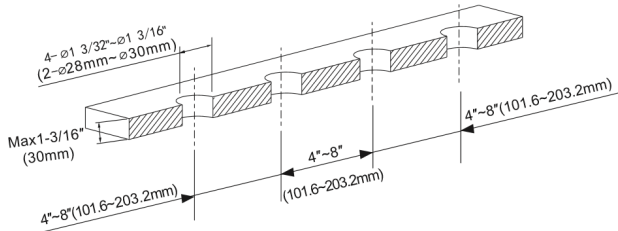
Adjustable Pliers



Adjustable Wrench

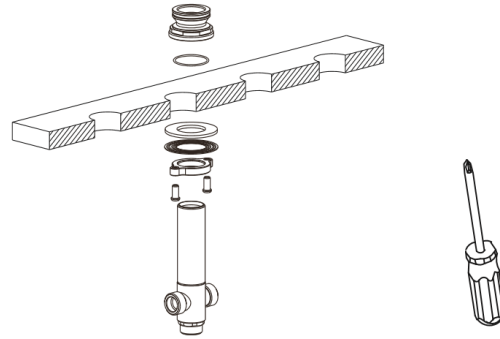
**1**

Check the thickness of the countertop and the dimension of the holes.

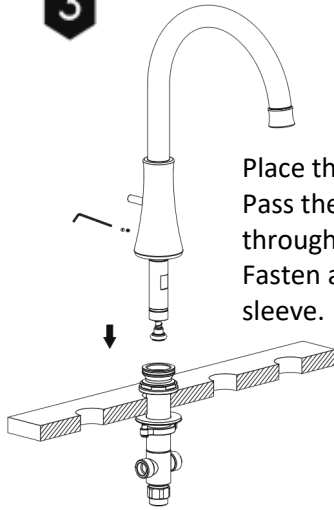


**2**

Fix the bolts to the bottom of the body, then tighten it with a screwdriver.

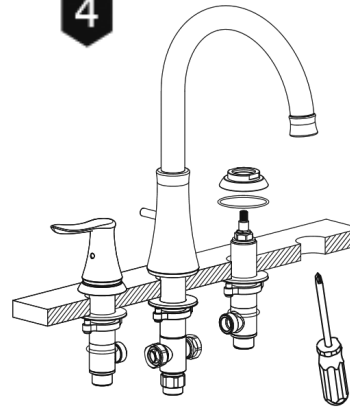


**3**



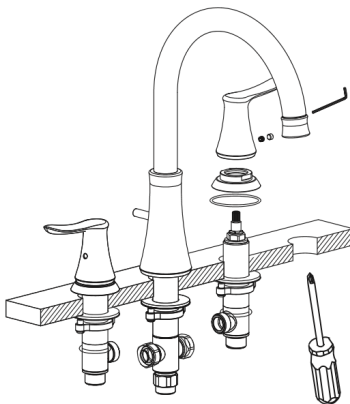
Place the faucet onto the hole. Pass the washer and plate through the threading rod. Fasten and tighten the nuts by sleeve.

**4**



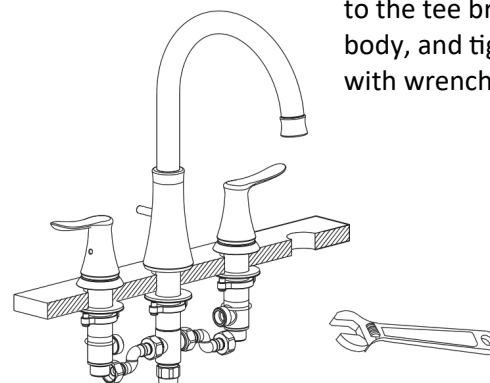
Adjust the valve and base plate on the proper position. (Note: Be sure to distinguish the red & blue marks). Tighten both the screw and nut with tools.

**5**



Properly adjust the directions of the handles. Fix the screw with hex wrench, and stuff the plug.

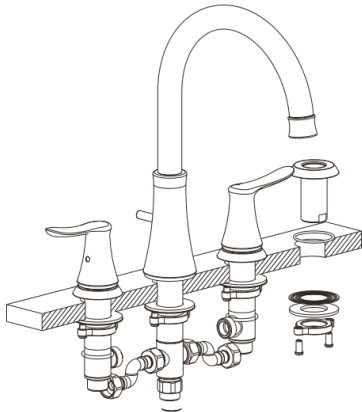
**6**



Connect flexible hoses to the tee branch body, and tighten with wrench

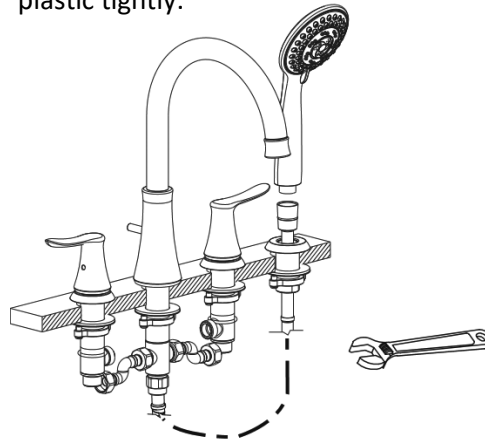
7

Check the thickness of the countertop and the dimension of the hand shower hole.



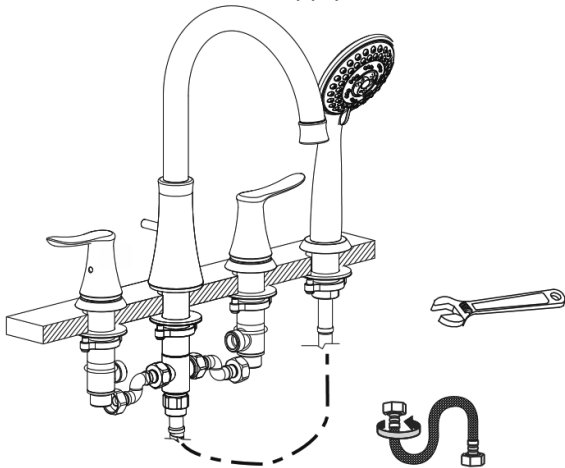
8

Connect flexible hoses to the valves, and tighten by wrench. Assemble tee branch body to the faucet, and lock them together with a fixed plastic tightly.



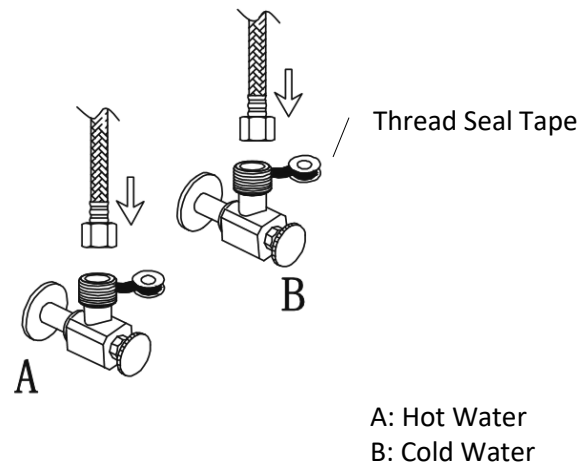
9

Screw and tighten the flexible hoses to the faucet. Do not allow the water supply brass tube to twist.



10

Attach two flexible hose to water supply.



LEGAL DISCLAIMER:

- This instruction guide is done as a public service to customers of Dawn Kitchen & Bath Products, Inc. ("Dawn®"). Please consult professionals for special situations or further assistance.
- All products should be inspected by customers upon receipt and before any installation. Any defective product should be reported immediately and should NOT be installed.
- Requirements may vary for installation in a granite, marble, stone, or butcher block countertop.
- Installation by professional installers is highly recommended. Dawn assumes no liability for any damages incurred through the use of information provided in this guide.

---

## CARE AND CLEANING

---

To maintain the product and to avoid possible damage:

1. Clean as and when required. Regular cleaning prevents scale buildup and water spotting.
2. To clean, flush with clean water and dry with a soft cloth.
3. To remove scale or water spots, only use cleaners made specifically for that purpose. Apply cleaners to cleaning cloths, pads, or sponges first; do not apply directly onto the product.
4. Do not allow any cleaning product to remain on your faucet for longer than necessary.
5. Do not use any abrasive cleaning products, such as scrubbing detergent, polisher, sand-cloth, paper tissue, or scrapper.
6. Do not use detergents or soaps that contain acid or that are undissolvable.
7. Take the aerator off and clean it when necessary.
8. After cleaning, rinse thoroughly with clean water to remove any cleaner residue.



---

## WARRANTY

---

All products by Dawn Kitchen & Bath Products, Inc. (hereafter referred to as “Dawn®”) carry limited lifetime warranty unless otherwise noted. Products by Dawn® have been manufactured and tested to the highest quality standards. Dawn® warranties are limited to products by Dawn® purchased and installed in the United States.

### **LIMITED LIFETIME WARRANTY**

Dawn® warrants its products to be free from manufacturing defects in material and workmanship during normal residential use for as long as the original purchaser owns his or her home. This warranty only extends to the original consumer and this warranty is non-transferable. If any defect is found in normal residential use, Dawn® will, at its own election, repair, provide a replacement part of product, or make appropriate adjustment at no charge (excluding labor charges and other incidental or consequential costs). Damage to a product caused by accident, misuse, or abuse is NOT covered by this warranty. Improper care and cleaning will void the warranty. If Dawn® is unable to provide a replacement and repair cannot be made, Dawn® may elect to refund the purchase price to the original consumer purchaser in exchange for the return of the product. **IMPORTANT:** The original consumer/purchaser should be responsible for inspecting products upon receipt. Any defective product should be reported immediately and should NOT be installed.

### **ONE-YEAR LIMITED WARRANTY**

Dawn® ceramic and glass sinks, vanities, plumbing parts, shower, and kitchen and bath accessories are warranted to be free of defects in material and workmanship for one year from date of purchase. Dawn® will, at its own election, repair, replace or make appropriate adjustment where Dawn® inspection discloses any such defects occurring in normal usage within one (1) year after purchase. Dawn® is not responsible for removal or installation costs. This warranty voids if the product has been moved from its original installation location. Defective parts or products will be replaced on availability basis. Dawn® warranty does not apply to any local building code compliance. It is the customer’s responsibility to comply with all local plumbing codes before installation.

### **DAWN® WARRANTIES DO NOT COVER, AND DAWN® DISCLAIMS ANY LIABILITY FOR:**

1. Conditions or damage NOT resulting from defects in material or workmanship.
2. Conditions or damage resulting from:
  - Normal wear and tear, improper installation or maintenance, misuse, abuse, negligence, accident, moving (tipping) or alteration, scratches or handling damages.
  - Use of abrasive cleaning products or the use of the product in any manner contrary to the product instructions.
  - Conditions in the home such as excessive water pressure, water quality or corrosion.
3. Labor, shipping or other costs for removal, installation, replacement or return of product for warranty service.
4. Parts, accessories, connected materials or related products that are not manufactured by Dawn®.
5. Imperfections such as checks (small surface splits), pitch pockets (small dark holes), grain or darker mineral streaks are natural and are not considered defects.

Dawn® reserves the right to inspect any product reported to be defective prior to any repair or replacement. Repair and replacement costs EXCLUDE shipping, labor, and consequential expenses. **TO OBTAIN WARRANTY SERVICE:** Contact Dawn® either through your Dealer, Plumbing Contractor, Home Center or E-retailer, or by contacting Dawn® directly at the contact information listed at the very top. Proof of purchase (original sales receipt) and description of problem must be provided with all warranty claims.

---

## RETURN POLICY

---

You may only return new, uninstalled, or unused items sold and fulfilled by Dawn Kitchen & Bath Products, Inc. for a full refund within 30 days of delivery. Items must be returned in its original package. Returns of used items or returns after 30 days of delivery may be accepted with a 15% restocking fee. Dawn will pay for return shipping costs only if the return is a result of our fault. If you receive a faulty product and need to exchange it for the same product, please contact our customer service via phone, fax, or e-mail to request a replacement. If you would like to exchange a product for a different one, please first return the original product to our location at **27688 Industrial Blvd., Hayward, CA 94545** and then place a new order. Partial refunds may be given to (1) majority of items that are returned after 30 days of delivery, (2) any item not returned in the condition it was delivered, or (3) any item that has obvious signs of use. A 15% restocking fee will apply to all used items or items returned after 30 days of delivery.

---

## ASKING FOR ASSISTANCE

---

Dawn Customer Service Department  
27688 Industrial Blvd., Hayward, CA 94545  
Toll-Free: 877-DAWN-USA (877-329-6872)  
E-mail: [dp@dawnusa.net](mailto:dp@dawnusa.net) Web: [www.dawnusa.net](http://www.dawnusa.net)